

OVERVIEW

The CF5746 Series devices are analog clock ICs that derive their timing from a 32 kHz oscillator element.

They feature alarm outputs, snooze function and alarm auto-stop function. They can be configured to match a wide variety of clock specifications, alarm functions and motor outputs.

FEATURES

- 32.768 kHz oscillator circuit
 - R_f and R_d built-in
 - Oscillator capacitance built-in
 - $C_D = 30$ pF (typ, excluding CF5746ADC)
 - $C_D = 20$ pF (typ, CF5746ADC)
- Alarm outputs
 - Compatible with electronic sound alarms and motor bells
 - 4-step increasing volume alarm output (CF5746AAB, ADC, AEA, AFA (AO1), AGA (AO1))
- Snooze function
 - Temporarily stops alarm output and then re-starts after a fixed time
- Debouce circuit (AI/SNZ pin)
- Test functions
 - Shortening snooze time and auto-stop time
 - Increasing motor speed (excluding CF5746BCA)
- Power-ON clear function
- 1.5 V supply voltage
- Chip form

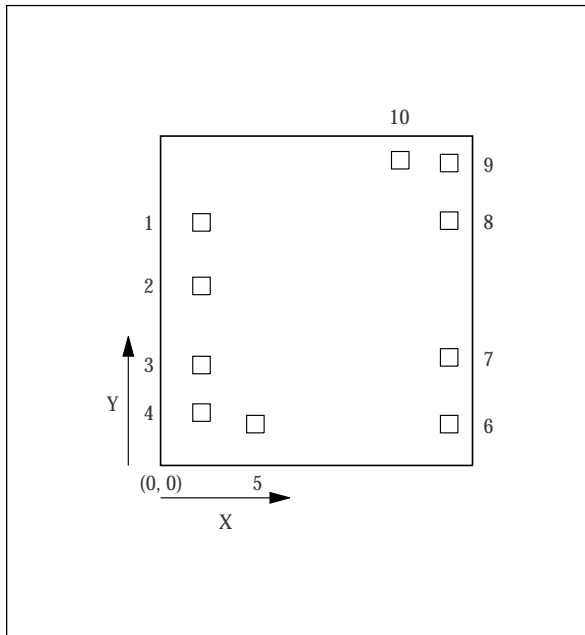
SERIES CONFIGURATION

		CF5746AAB	CF5746ABA	CF5746BCA	CF5746ADC	CF5746AEA	CF5746AFA	CF5746AGA								
Built-in capacitance	XT pin C_G (pF)	None	None	None	None	None	None	None								
	XT pin C_G (pF)	30	30	30	20	30	30	30								
Motor output	Active level	HIGH	HIGH	-	HIGH	HIGH	HIGH	HIGH								
	Needle period t_{cy} (s)	1	1	0.125	1	1	1	1								
	Pulsewidth t_{pw} (ms)	23.4375	31.25	50% duty	46.875	31.25	46.875	31.25								
AI/SNZ input	Alarm active level	LOW	LOW	LOW	HIGH	LOW	LOW	LOW								
	Pin type	512 Hz	512 Hz	512 Hz	512 Hz	512 Hz	Pull-up	Pull-up								
	SNZ interface	Yes	Yes	Yes	No	Yes	Yes	Yes								
	SNZ time t_{snz} (s)	256	256	256	256	256	256	256								
	Bounce delay (ms)	31.25	31.25	31.25	31.25	31.25	31.25	31.25								
	SNZ release	No	No	No	No	No	Yes (2 s)	Yes (2 s)								
	Pins	AO	\overline{AO}	AO1	AO2	AO1	AO2	AO	\overline{AO}	AO	\overline{AO}	AO1	AO2	AO1	AO2	
Alarm output	Active level	HIGH	LOW ¹	HIGH	HIGH	HIGH	HIGH	HIGH	LOW ¹	HIGH	LOW ¹	HIGH	HIGH	HIGH	HIGH	
	Frequency f_{pw} (Hz)	4096	4096	DC	DC	DC	DC	2048	2048	2048	2048	2048	DC	2048	DC	
	Modulation f_{cy} (Hz)	8+1	8+1	-	-	-	-	8+1	8+1	8+1	8+1	8+1	-	8+1	-	
	Duty (%)	Step 1	12.5	12.5	-	-	-	-	6.26	6.26	6.26	6.26	12.5	-	6.26	-
		Step 2	25	25	-	-	-	-	12.5	12.5	12.5	12.5	25	-	12.5	-
		Step 3	50	50	-	-	-	-	25	25	50	50	50	-	50	-
		Step 4	-	-	-	-	-	-	50	50	-	-	-	-	-	-
	Step time (s)	Step 1	0 to 7	0 to 7	-	-	-	-	0 to 3	0 to 3	0 to 7	0 to 7	0 to 7	-	0 to 7	-
		Step 2	7 to 15	7 to 15	-	-	-	-	3 to 7	3 to 7	7 to 15	7 to 15	7 to 15	-	7 to 15	-
		Step 3	15 to AS ²	15 to AS	-	-	-	-	7 to 31	7 to 31	15 to AS	15 to AS	15 to AS	-	15 to AS	-
		Step 4	-	-	-	-	-	-	31 to AS	31 to AS	-	-	-	-	-	-
	I_{OH} min (mA)	-0.8	-0.8	-0.8	-0.8	-0.8	-0.8	-0.8	-0.8	-0.8	-0.8	-0.8	-0.8	-0.8	-0.8	-0.8
	I_{OL} min (mA)	0.8	0.8	0.8	0.8	0.8	0.8	0.002	0.002	0.8	0.8	0.002	0.8	0.002	0.8	
Auto-stop t_{STOP} (s)	128	128	128	128	128	128	128	128	128	128	128	128	128	128		
Pad layout	A		A		B		A		A		A		A			
Other	Power-ON clear, oscillator R_d and R_f built-in															

1. \overline{AO} has the opposite polarity to AO only when output (same phase when non-active).

2. AS = auto-stop

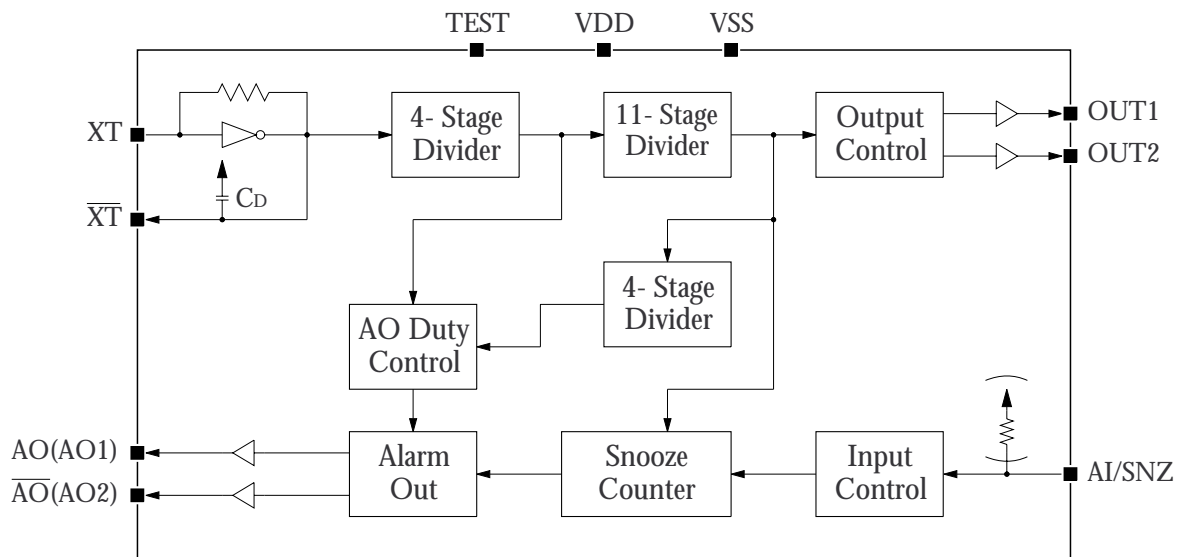
PAD DIMENSIONS



No.	Layout		Dimensions (μm)	
	A (ex. BCA)	B (BCA)	X	Y
1	VDD	VSS	166	1210
2	VSS	VDD	166	882
3	OUT1	AI/SNZ	166	474
4	AI/SNZ	AO1	166	228
5	TEST	AO2	444	169
6	OUT2	OUT1	1444	169
7	AO (AO1)	OUT2	1444	513
8	$\overline{\text{AO}}$ (AO2)	TEST	1444	1219
9	$\overline{\text{XT}}$	$\overline{\text{XT}}$	1444	1516
10	XT	XT	1192	1531

Chip size: 1.61×1.70 mm
 Chip thickness: 400 ± 30 μm
 Pad size: 100×100 μm
 Chip surface is at V_{DD} potential.

BLOCK DIAGRAM



PIN DESCRIPTION

Name	Description
VDD	Positive supply voltage pin
VSS	Ground pin
XT	Oscillator input pin
\overline{XT}	Oscillator output pin
OUT1	Motor output pin 1
OUT2	Motor output pin 2
AI/SNZ	Alarm/snooze input pin
AO (AO1)	Alarm output pin
\overline{AO} (AO2)	Alarm output pin
TEST	Test pin

SPECIFICATIONS

Absolute Maximum Ratings

Parameter	Symbol	Condition	Rating	Unit
Supply voltage range	$V_{DD} - V_{SS}$		-0.3 to 5.0	V
Input voltage range	V_{IN}		V_{SS} to V_{DD}	V
Operating temperature range	T_{opr}		-30 to 70	°C
Storage temperature range	T_{stg}		-40 to 125	°C

Electrical Characteristics

$T_a = 25\text{ °C}$, $V_{DD} = 1.5\text{ V}$, $V_{SS} = 0\text{ V}$, $f_0 = 32.768\text{ kHz}$ unless otherwise noted

Parameter	Symbol	Condition	Rating			Unit
			min	typ	max	
Operating voltage	V_{DD}	No load	1.2	-	2.0	V
Current consumption ¹	I_{DD}		-	1.0	2.0	μA
Motor output current	I_{MOT}	$V_{DD} = 1.2\text{ V}$, $R_L = 200\ \Omega$	±3.8	-	-	mA
Alarm HIGH-level output current	I_{OH}	$V_{DD} = 1.2\text{ V}$, $V_{OH} = 0.7\text{ V}$	-0.8	-1.5	-	mA
Alarm LOW-level output current ²	I_{OL}	$V_{DD} = 1.2\text{ V}$, $V_{OL} = 0.5\text{ V}$	0.8	1.5	-	mA
Alarm LOW-level output current ³			2	15	30	μA
AI/SNZ HIGH-level input voltage	V_{IH}		$V_{DD} - 0.2$	-	V_{DD}	V
AI/SNZ LOW-level input voltage	V_{IL}		V_{SS}	-	$V_{SS} + 0.2$	V
AI/SNZ HIGH-level output current	I_{OH}	$V_{OH} = V_{DD} - 1.5\text{ V}$	-1	-3	-10	μA
AI/SNZ LOW-level output current	I_{OL}	$V_{OL} = V_{DD} + 1.5\text{ V}$				
Oscillator frequency stability	$\Delta f/f$	$V_{DD} = 1.2\text{ to }2.0\text{ V}$	-	0.5	1	ppm/0.1 V
VDD-to-XT pin built-in capacitance	C_G		-	None	-	pF
VDD-to- \overline{XT} pin built-in capacitance	C_D	Excluding CF5746ADC	-	30	-	pF
		CF5746ADC	-	20	-	pF

1. All pins except the supply and crystal oscillator pins are open.

2. CF5746AAB, ABA, BCA, AEA, AFA (AO2), AGA (AO2)

3. CF5746ADC, AFA (AO1), AGA (AO2)

FUNCTIONAL DESCRIPTION

Alarm Input/Output

AI/SNZ input Debouncing circuit

A bounce delay is provided on the AI/SNZ input, regardless of whether the input is LOW or HIGH, to eliminate erroneous operation caused by input bounce. For $t_{ON} \leq 31.25$ ms, any alarm input or snooze input signal is ignored. For $t_{ON} \geq 62.5$ ms, the alarm input or snooze input is accepted.

Alarm/snooze function

An active level on AI/SNZ for ≥ 62.5 ms triggers the alarm function, and alarm operation starts.

During alarm output, an active level on AI/SNZ for ≥ 62.5 ms triggers the snooze function. In snooze mode, the alarm output is temporarily stopped for an interval of approximately 256 seconds. After this interval ends, alarm output restarts.

For devices other than the CF5746ADC, the snooze interval count is restarted from 0 if another snooze input is received while in snooze mode. After the snooze interval ends, alarm output restarts.

For the CF5746AFA and AGA, an active level on AI/SNZ for ≥ 2 s in snooze mode cancels the snooze and immediately the alarm signal restarts (snooze release).

	CF5746AAB	CF5746ABA	CF5746BCA	CF5746ADC	CF5746AEA	CF5746AFA	CF5746AGA
Alarm active level	LOW	LOW	LOW	HIGH	LOW	LOW	LOW
SNZ interface	Yes	Yes	Yes	No	Yes	Yes	Yes
SNZ time $t_{snz}(s)$	256	256	256	256	256	256	256
SNZ release	No	No	No	No	No	Yes (2 s)	Yes (2 s)

Alarm output

The CF5746 Series devices feature a combination of various alarm output options to cover a wide range of clock specifications.

- Step output function (CF5746AAB, ADC, AEA, AFA (AO1), AGA (AO1))

The alarm output increases in volume over 3 or 4 steps, depending on the device selected.

- Auto-stop function

After the alarm has been active continuously for 128 seconds, auto-stop mode becomes active and the output stops.

	CF5746AAB		CF5746ABA		CF5746BCA		CF5746ADC		CF5746AEA		CF5746AFA		CF5746AGA		
Pins	AO	\overline{AO}	AO1	AO2	AO1	AO2	AO	\overline{AO}	AO	\overline{AO}	AO1	AO2	AO1	AO2	
Active level	HIGH	LOW ¹	HIGH	HIGH	HIGH	HIGH	HIGH	LOW ¹	HIGH	LOW ¹	HIGH	HIGH	HIGH	HIGH	
Frequency f_{pw} (Hz)	4096	4096	DC	DC	DC	DC	2048	2048	2048	2048	2048	DC	2048	DC	
Modulation fcy (Hz)	8+1	8+1	–	–	–	–	8+1	8+1	8+1	8+1	8+1	–	8+1	–	
Duty (%)	Step 1	12.5	12.5	–	–	–	–	6.26	6.26	6.26	6.26	12.5	–	6.26	–
	Step 2	25	25	–	–	–	–	12.5	12.5	12.5	12.5	25	–	12.5	–
	Step 3	50	50	–	–	–	–	25	25	50	50	50	–	50	–
	Step 4	–	–	–	–	–	–	50	50	–	–	–	–	–	–
Step time (s)	Step 1	0 to 7	0 to 7	–	–	–	–	0 to 3	0 to 3	0 to 7	0 to 7	0 to 7	–	0 to 7	–
	Step 2	7 to 15	7 to 15	–	–	–	–	3 to 7	3 to 7	7 to 15	7 to 15	7 to 15	–	7 to 15	–
	Step 3	15 to AS ²	15 to AS	–	–	–	–	7 to 31	7 to 31	15 to AS	15 to AS	15 to AS	–	15 to AS	–
	Step 4	–	–	–	–	–	–	31 to AS	31 to AS	–	–	–	–	–	–
Auto-stop $t_{stop}(s)$	128		128		128		128		128		128		128		

1. \overline{AO} has the opposite polarity to AO only when output (same phase when non-active).

2. AS = auto-stop

Motor Output

The motor output can be matched to the clock using a step needle movement (3 options) or a continuous needle movement (1 option), depending on the device selected.

	CF5746AAB	CF5746ABA	CF5746BCA	CF5746ADC	CF5746AEA	CF5746AFA	CF5746AGA
Active level	HIGH	HIGH	-	HIGH	HIGH	HIGH	HIGH
Needle period t_{cy} (s)	1	1	0.125	1	1	1	1
Pulsewidth t_{pw} (ms)	23.4375	31.25	50% duty	46.875	31.25	46.875	31.25
Movement	Step	Step	Continuous	Step	Step	Step	Step

Test Functions

Open-circuit output

When AI/SNZ is open circuit, a 512 Hz tone is output (except on the CF5746AFA and AGA).

Time shortening function

This function is used to reduce the alarm output snooze interval and the auto-stop time. This function is active under either of the following conditions.

- TEST must be HIGH.
- OUT1 and OUT2 must both be HIGH.

Note that devices other than the CF5746BCA (that is, the step needle movement devices) also have reduced motor output needle periods for the case where TEST is HIGH.

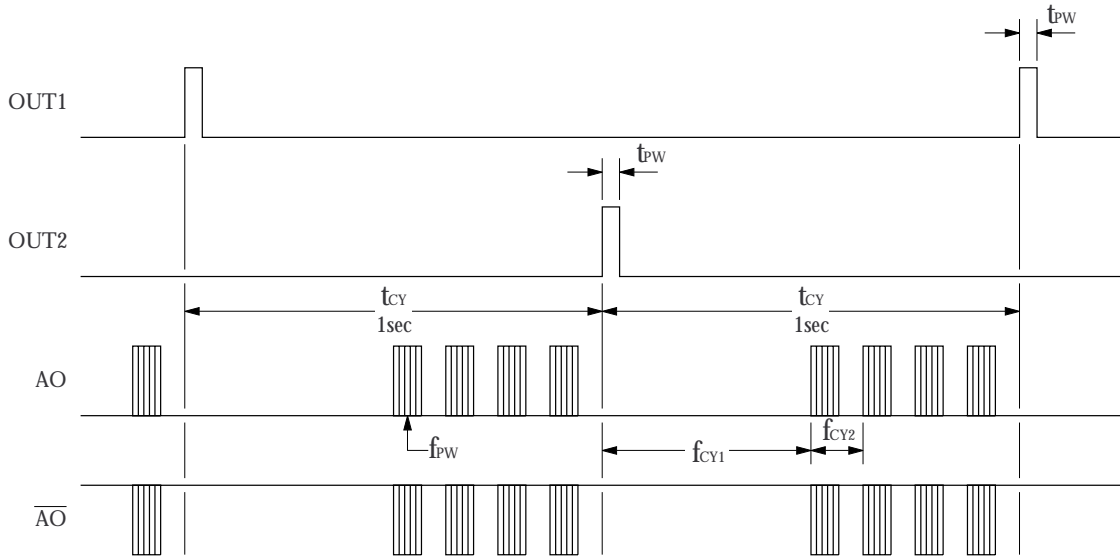
	TEST = HIGH			OUT1 = OUT2 = HIGH		
Motor output needle period	1/4	1/4	-	-	-	-
Alarm output	Unmodulated	-	-	Unmodulated	-	-
Auto-stop time	1/1024	1/1024	1/1024	1/1024	1/1024	1/1024
Snooze interval	1/1024	1/1024	1/1024	1/1024	1/1024	1/1024
Device	AAB ADC AEA AFA (AO1) AGA (AO1)	ABA AFA (AO2) AGA (AO2)	BCA	AAB ADC AEA AFA (AO1) AGA (AO1)	ABA AFA (AO2) AGA (AO2)	BCA

Power-ON Clear Function

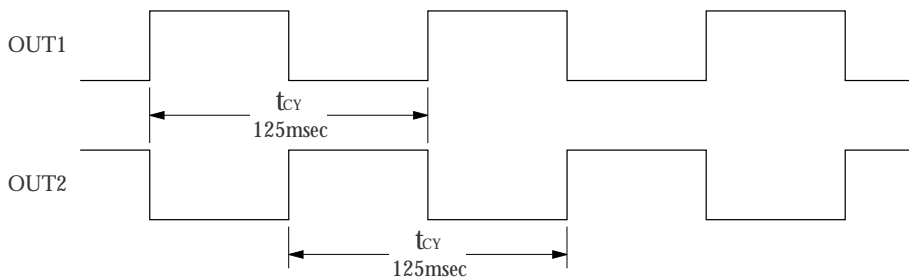
When power is first applied, the snooze state and alarm auto-stop state are reset to their default values.

TIMING DIAGRAMS

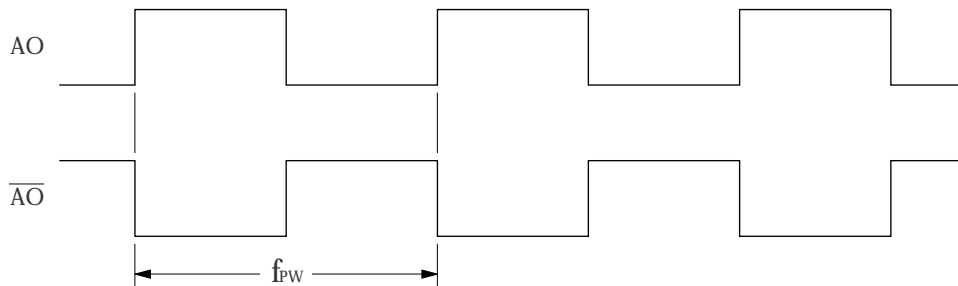
Motor Output (Step Movement): excluding CF5746BCA
Alarm Output: CF5746AAB, ADC, AEA, AFA (AO1), AGA (AO1)



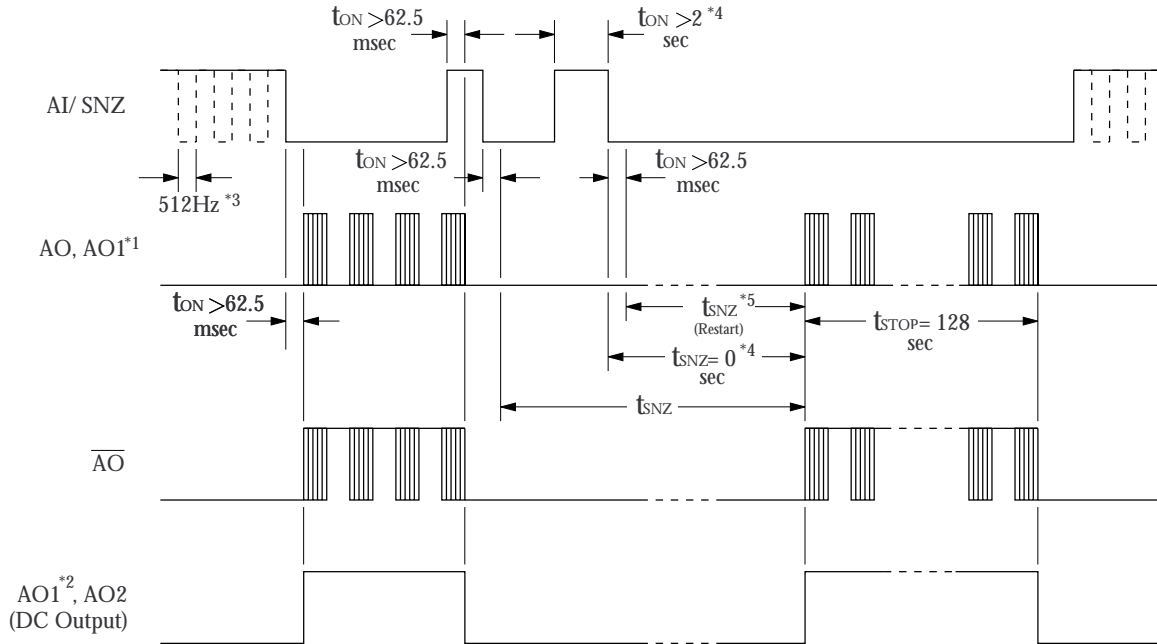
Motor Output (Continuous Movement): CF5746BCA



Alarm Step Output: CF5746AAB, ADC, AEA, AFA (AO1), AGA (AO1)

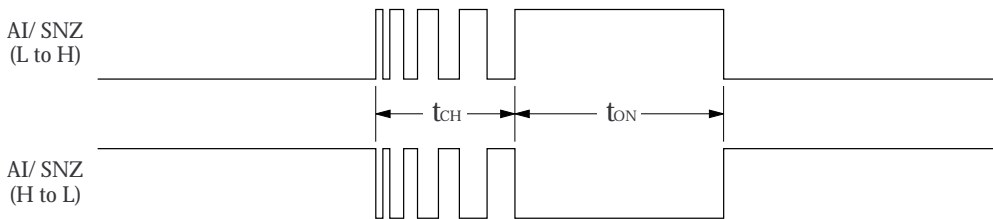


Alarm/Snooze Input and Alarm Output




- *1: CF5746AFA, AGA
- *2: CF5746ABA, BCA
- *3: CF5746AAB, ABA, BCA, ADC, AEA
- *4: CF5746AFA, AGA
- *5: CF5746AAB, ABA, BCA, AEA, AFA, AGA

Alarm/Snooze Input (Debouncing Circuit)



NIPPON PRECISION CIRCUITS INC. reserves the right to make changes to the products described in this data sheet in order to improve the design or performance and to supply the best possible products. Nippon Precision Circuits Inc. assumes no responsibility for the use of any circuits shown in this data sheet, conveys no license under any patent or other rights, and makes no claim that the circuits are free from patent infringement. Applications for any devices shown in this data sheet are for illustration only and Nippon Precision Circuits Inc. makes no claim or warranty that such applications will be suitable for the use specified without further testing or modification. The products described in this data sheet are not intended to use for the apparatus which influence human lives due to the failure or malfunction of the products. Customers are requested to comply with applicable laws and regulations in effect now and hereinafter, including compliance with export controls on the distribution or dissemination of the products. Customers shall not export, directly or indirectly, any products without first obtaining required licenses and approvals from appropriate government agencies.

 NIPPON PRECISION CIRCUITS INC.	NIPPON PRECISION CIRCUITS INC. 4-3, 2-chome Fukuzumi Koutou-ku, Tokyo 135-8430, Japan Telephone: 03-3642-6661 Facsimile: 03-3642-6698
---	---